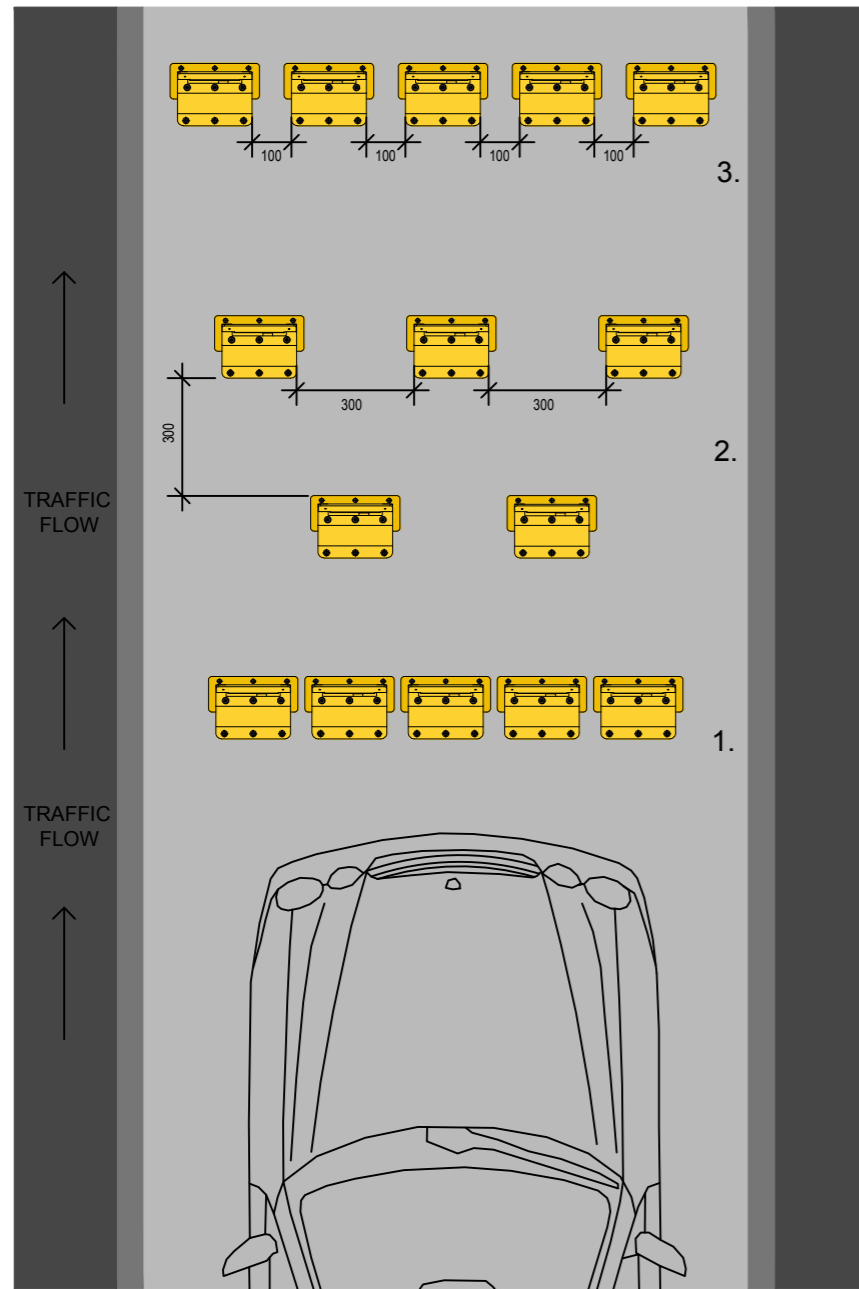
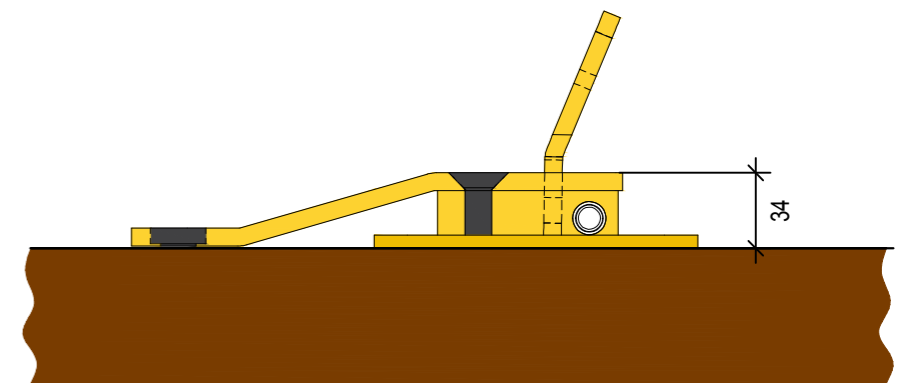
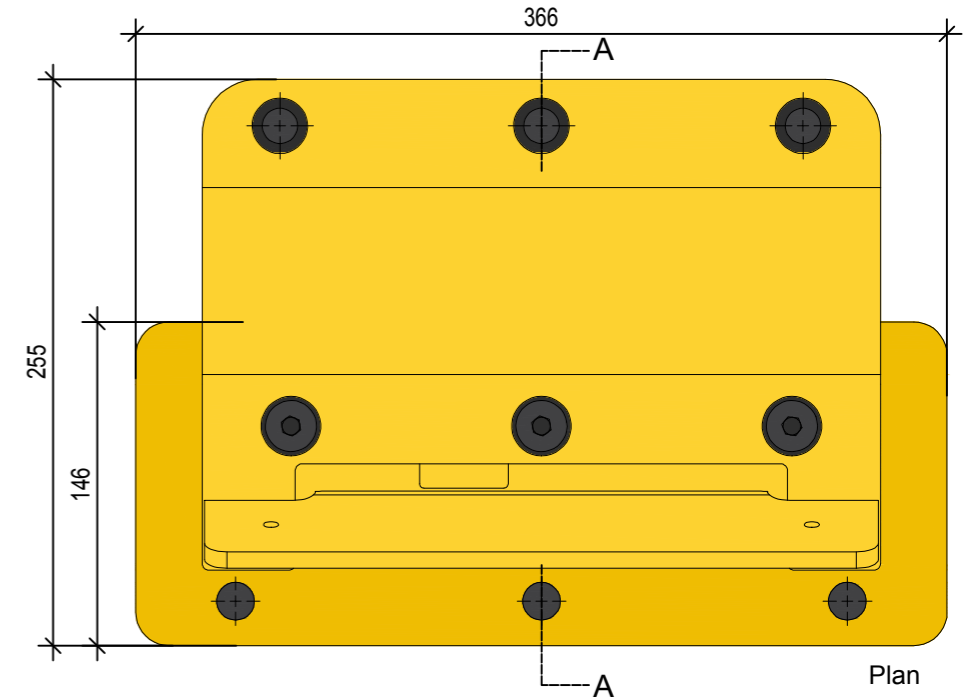
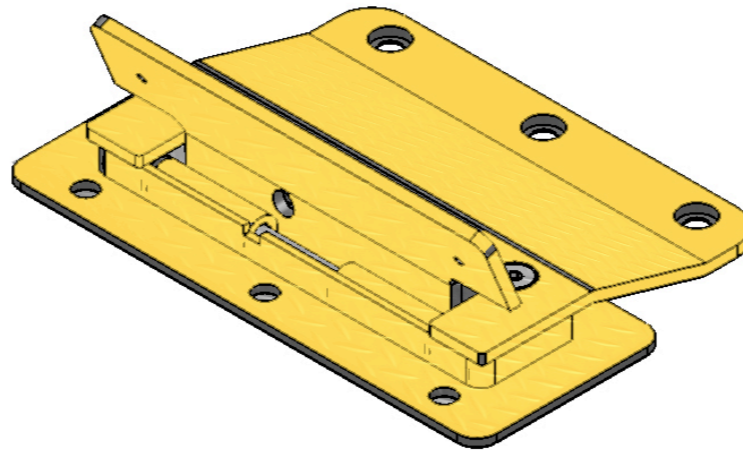


STANDARD FLOW PLATE

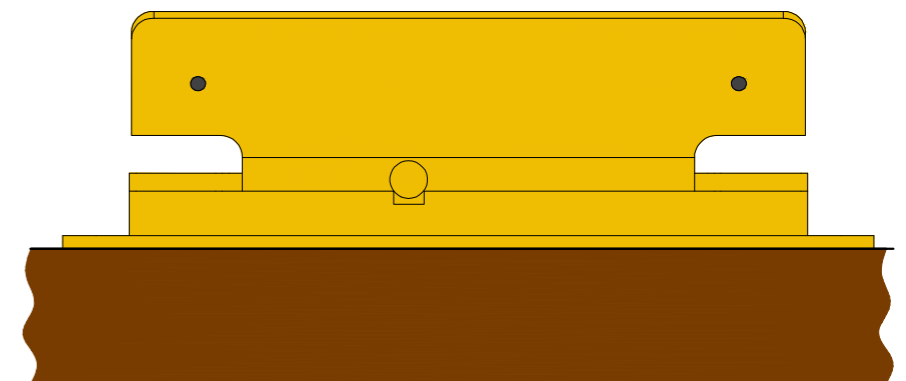
FLOW PLATE CONFIGURATIONS



Plan view of road



Section AA



Elevation

- For use by cars only (NOT SUITABLE FOR ANY VEHICLE EXCEEDING 1 TONNE PER AXEL)
- Ideal for residential car parks
- High quality Oil Lite bushes and stainless steel pin
- Can be locked down for temporary use in both directions
- Surface mounted – no need for drainage channel
- 6 no fixing holes per plate

Road width metric (mm)	No. of plates
2500	6
3000	8
3500	9
4000	10
4500	12
5000	13
5500	15
6000	16
6500	17
7000	19

Table 1. Widths to plate number

FLOWPLATE	Flow Plates Ltd Address: Unit 28D, Nuralite Industrial Estate Canal Road, Higham, ME3 7HX TEL: 0333 433 0468 Email: sales@flowplates.co.uk		Title: STANDARD FLOW PLATE	
	Drawn by:	FS	Drawing no:	NMFP 03
	Date:	18.09.2017	Revision:	2
	Scale:	Refer to dimensions		